

Locking Blade Nail
Proximal Humeral Nail

Clinical Advisor

Professor Dr. med. Dr. h. c. Edgar Mayr

Chefarzt, Klinik für Unfall-, Hand- und Wiederherstellungschirurgie

Klinikum Augsburg

► Table of Contents

Introduction	Locking Blade Nail	2
	Treatment Options	3
	Indication	4
	Case Studies	5
	Patient Positioning	8
	Assembling the Targeting Jig	9

Surgical Technique	Surgical Approach	10
	Reduction of the Fracture	10
	Insertion Point Preparation	10
	Temporary Nail Fixation	11
	Insertion of the Tuberosity Screws	11
	Retroversion of the Humeral Head	13
	Insertion of the Blade	14
	Distal Locking Screw	18
	Long Locking Blade Nail	20
Implant Removal	21	

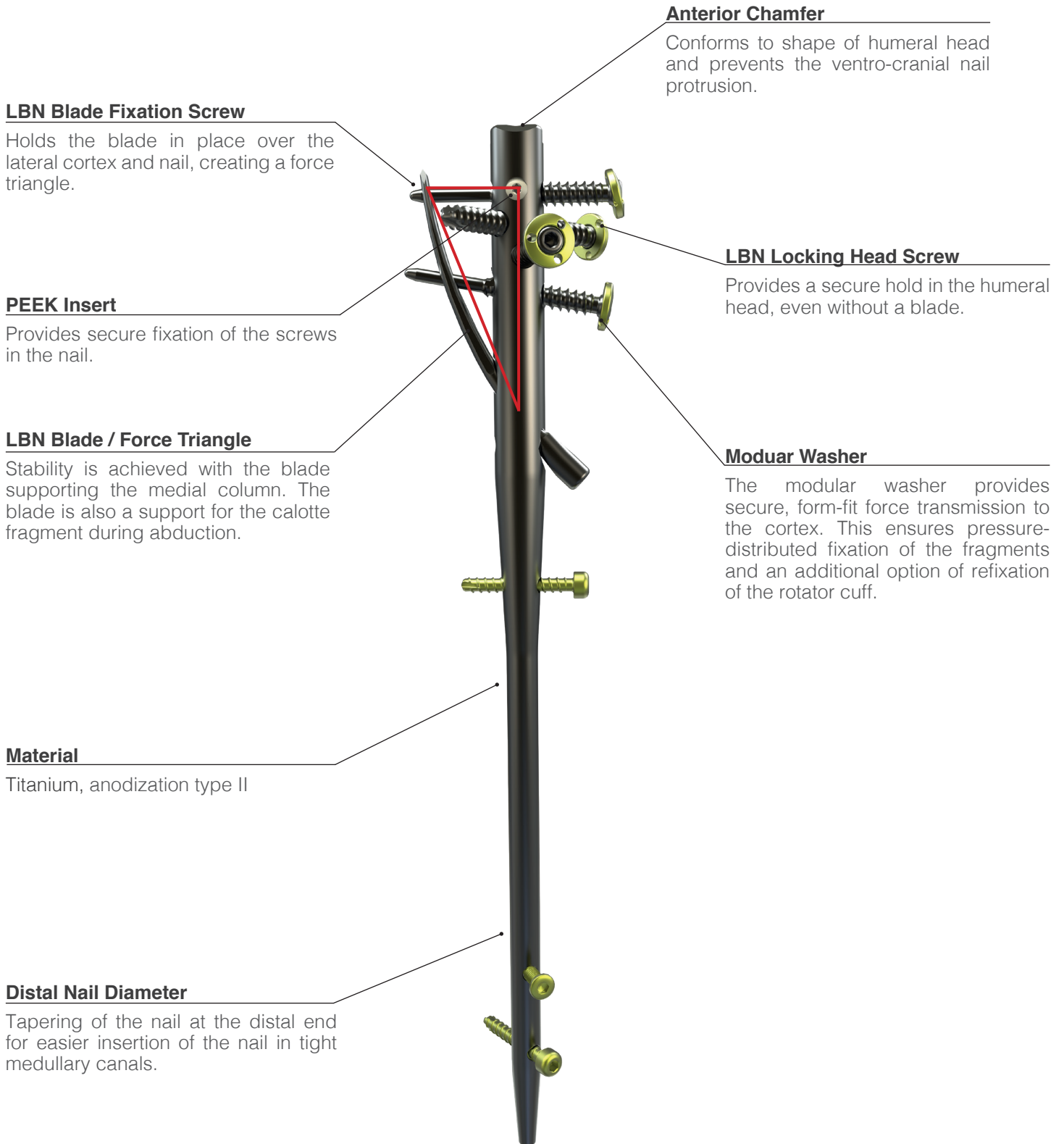
Product Information	Implants	24
	Instruments	27
	MRI Safety Information	30

Note:

The surgical technique outlined below reflect the surgical procedure usually chosen by the clinical advisor. However, each surgeon must decide which surgical method and which approach is the most successful for his patient.

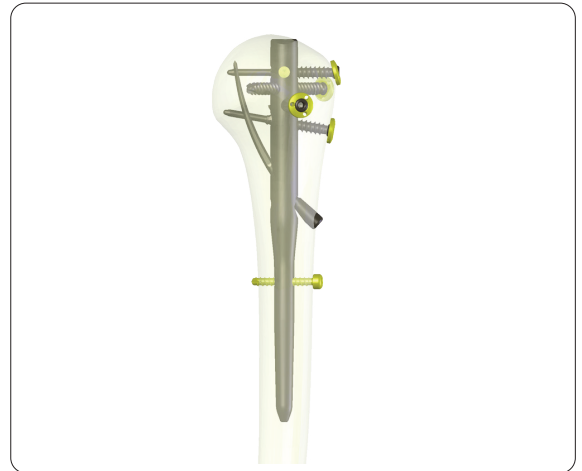
► Introduction

Locking Blade Nail



Treatment Options

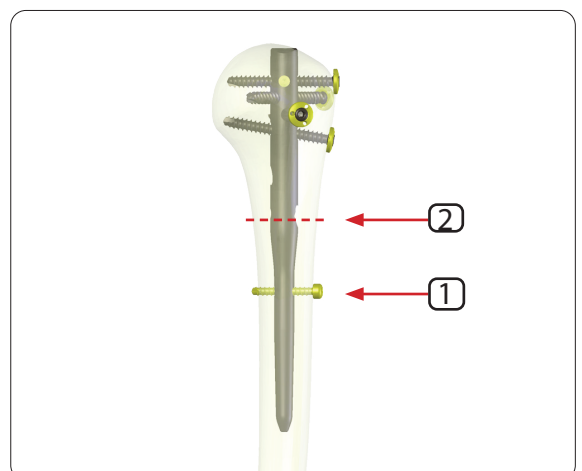
- The recommended configuration, giving optimal fixation of osteoporotic bone, is with the long blade, four screws in the humeral head, and a distal locking screw.



- As an option, the short blade can be used, with a single blade locking screw, and three head locking screws.

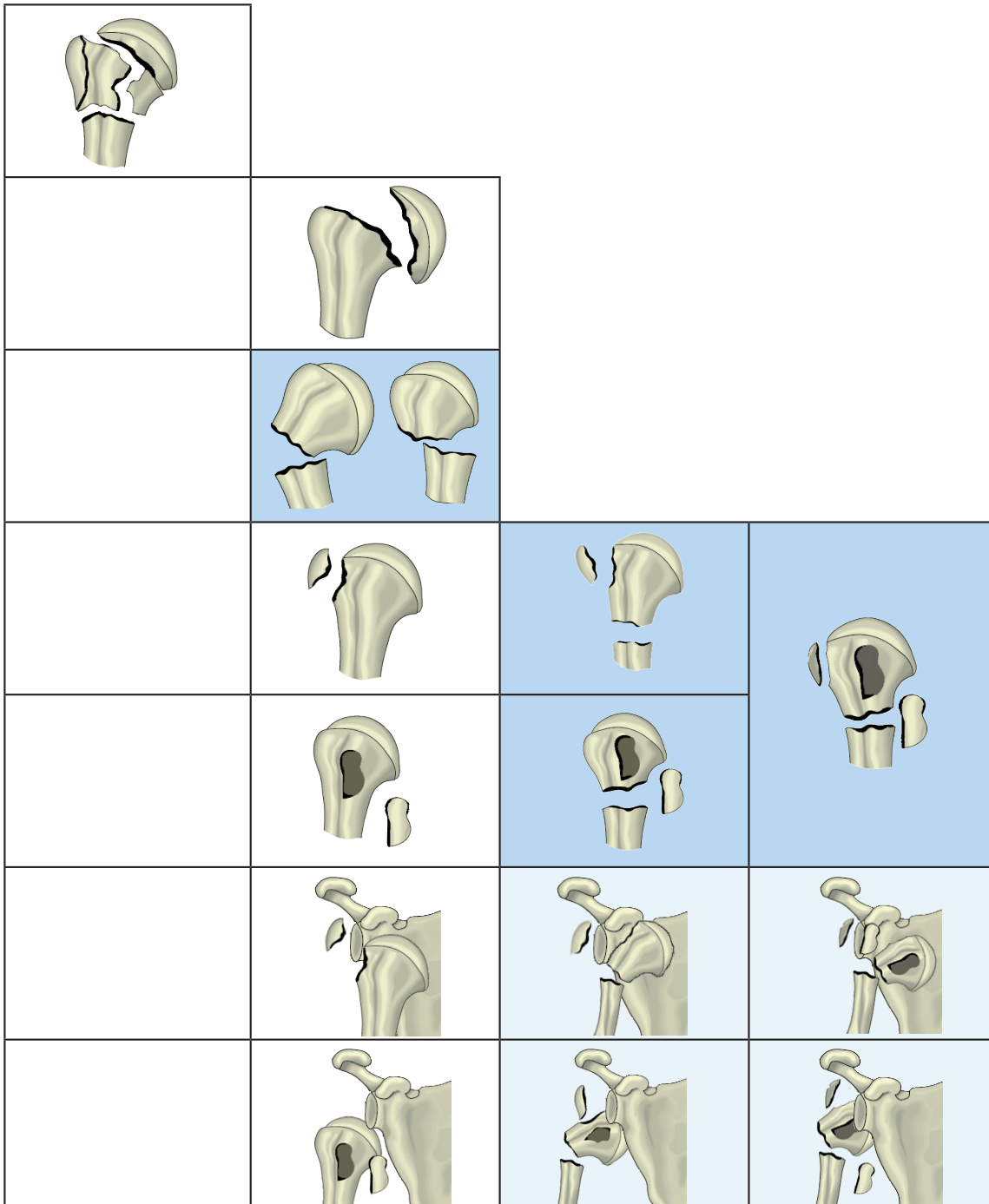


- In younger patients with good bone quality, the blade can be omitted, allowing the use of four head locking screws, and a second distal locking screw.



Indication

- Subcapital humeral fractures (2-part fractures)
- Slightly displaced 3- and 4-part fractures



Case study 1

3-part fracture
44 years female, treated with

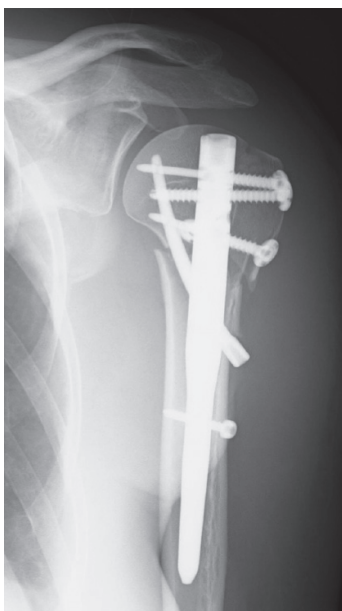
- LBN Proximal Humerus Nail, short
- LBN Blade (long) with two LBN Blade Fixation Screws
- two LBN Locking Head Screws
- one LBN Distal Locking Screw



preoperative image,
A-P view



preoperative image,
Y view



postoperative image,
A-P view

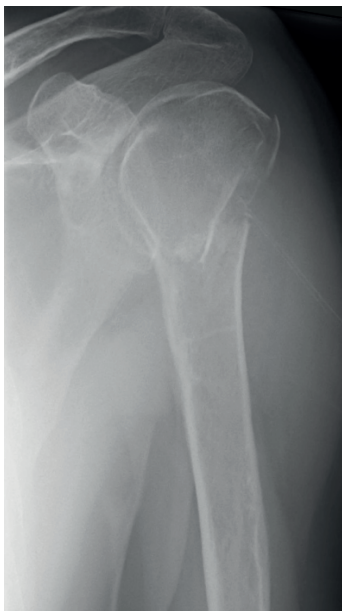


postoperative image,
Y view

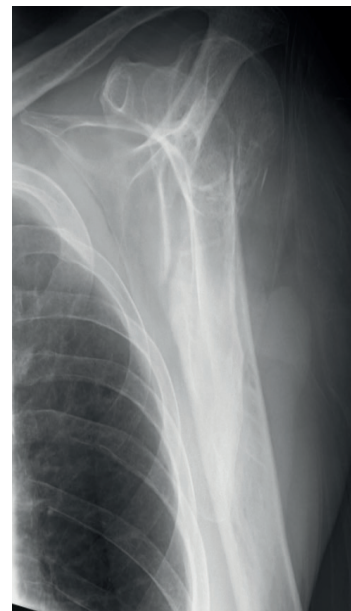
Case study 2

4-part fracture
63 years male, treated with

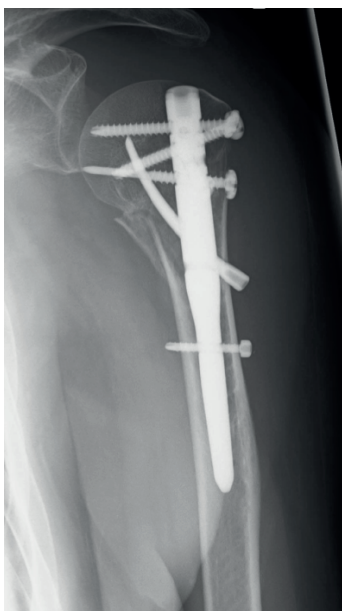
- LBN Proximal Humerus Nail, short
- LBN Blade for Humerus Nail (short) with one LBN Blade Fixation Screw
- three LBN Locking Head Screws
- one LBN Distal Locking Screw



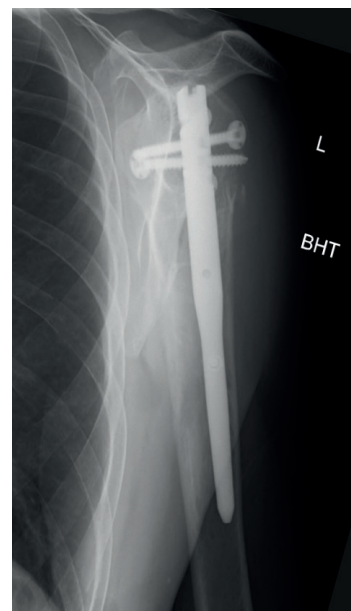
preoperative image,
A-P view



preoperative image,
Y view



postoperative image,
A-P view



postoperative image,
Y view

Case study 3

4-part fracture
91 years female, treated with

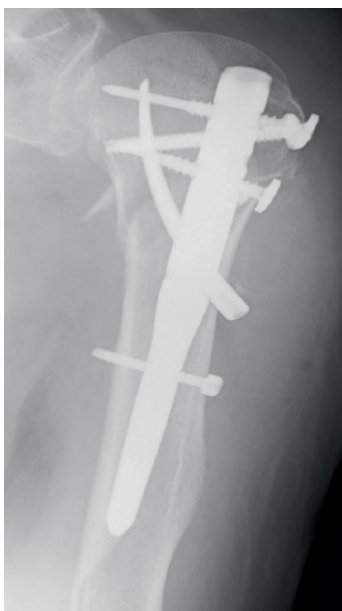
- LBN Proximal Humerus Nail, short
- LBN Blade (long) with two LBN Blade Fixation Screws
- two LBN Locking Head Screws
- one LBN Distal Locking Screw



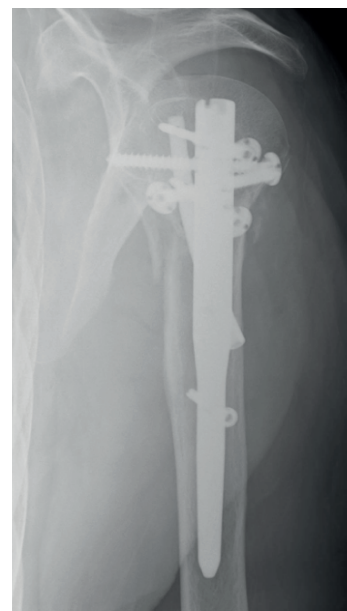
preoperative image,
A-P view



preoperative image,
Y view



postoperative image,
A-P view



postoperative image,
Y view

Patient Positioning

- The beach chair position is recommended.

Image Intensifier Positioning

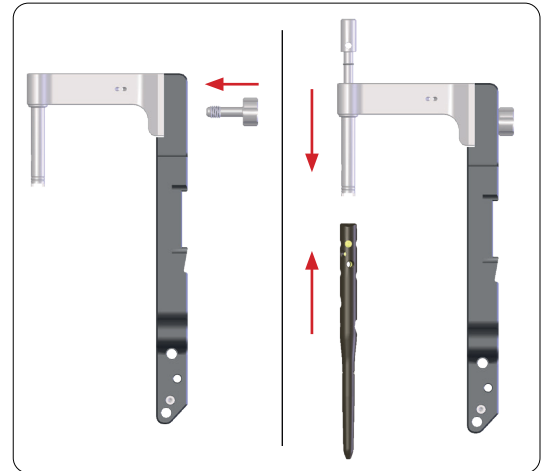
- The intensifier is positioned at the head of the table to allow antero-posterior and axillary views, ensuring that the whole length of the nail will be visualized.
- A closed reduction can then be performed before preparing and draping the surgical field.

Assembling Targeting Jig

Instruments

REF 14.30060.010	LBN Coupling Device
REF 14.30060.015	LBN Targeting Arm
REF 14.30060.030	LBN Coupling Screw
REF 14.30060.035	Assembling Screw

- The correct side nail is selected and opened.
- The Targeting Arm is attached to the Coupling Device and held with the supplied Assembling Screw.
- The nail is then attached to the Coupling Device with the long Coupling Screw.
- The nail can only be mounted in one position.



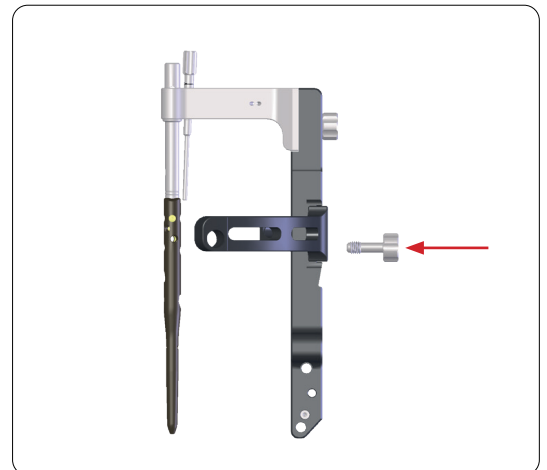
Note:

Initial tightening of the screw is carried out by hand, ensuring that the screw engages and that the nail locks into the Coupling Device. Final tightening is achieved with the Allen key.

Instruments

REF 14.30060.020/025	LBN Targeting Module, left/right
REF 14.30060.035	Assembling Screw

- The correct side curved Targeting Module left/right for the tuberosity screws is selected, slotted on to the Targeting Arm, and secured with another Assembling Screw.



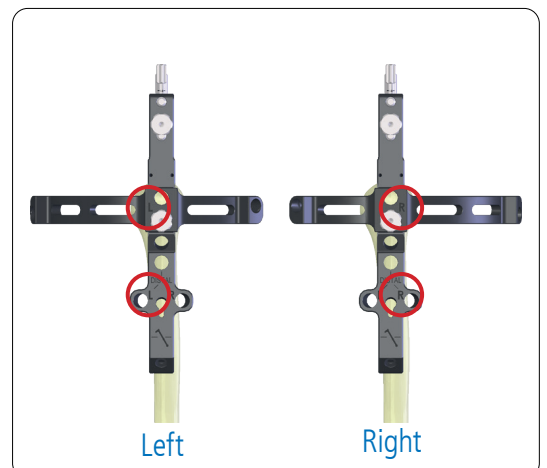
Note:

Alternatively this can be attached after the nail has been inserted, but it is wise to check correct alignment of the holes at this stage.

Instruments

REF 14.30060.045	LBN Height Determination Device
------------------	---------------------------------

- The Height Determination Device is inserted through the side arm hole, lateral to the nail.
- Initially the nail depth can be set at zero by screwing the stop into the jig.
- Trial insertion of the correct drill sleeves and drills is carried out, inserting them into the holes in the jig, ensuring that they line up correctly with the holes in the implant.
- The tightness of all the attachment screws is checked.



► Surgical Technique

Surgical Approach

- A deltoid split is recommended which can be extended as an antero-superior approach as required.
- The incision starts on the anterior acromion and extends over the middle fibres of the deltoid.
- The deltoid is then split in the line of its fibres for a distance of up to 5 cm from the lateral edge of the acromion, taking account of the position of the axillary nerve.
- The subacromial bursa is then opened.
- The deltoid can then be reflected from the front of the acromion in continuity with the coraco-acromial ligament (this facilitates later repair of the deltoid) to gain further exposure if reduction of the tuberosities is needed.

Reduction of the Fracture

- Further reduction of the fracture is carried out as necessary.
- This can be aided by inserting traction sutures into the supraspinatus tendon.
- Provisional fixation of the tuberosities with Kirschner wires can help, provided care is taken not to interfere with later positioning of the implant.



Insertion Point Preparation

Instruments

REF 14.30060.150/151 LBN Guide Pin with Stop, long/short

REF 14.30060.155 LBN Hollow Reamer Ø 11.5 mm

- In the reduced position, the correct nail entry is identified.
- It is located 1 to 2 mm lateral to the apex (highest point) of the head calotte.
- In both the axial and a. p. planes, the entry point projects to the center of the medullary canal of the humeral shaft.
- At this point, the corresponding plate wire is inserted into the humeral head in extension of the shaft axis until the plate of the pin rests on the calotte.
- After fluoroscopic control, the corresponding guide pin is overdrilled with the 11.5 mm hollow reamer.
- The bone core removed in the process is taken out of the crown reamer.

Nail Insertion

Instruments

REF 14.30060.045 LBN Height Determination Device

- The nail is then inserted through the prepared hole into the humeral canal under image intensifier control.
- The nail usually passes with a gentle twisting motion without the need to ream.
- No force should be used and on no account should a hammer be used on the jig as this could cause damage to the jig and further fracture of the bone.
- The nail is inserted until the Height Determination Device contacts the head lateral to the insertion point.
- The depth is usually then adjusted by rotating the Height Determination Device so that the nail sinks in by 2 mm.
- The top of the nail is easily visualized on image intensification, as the diameter is larger than the jig.
- Care is taken to ensure correct rotation of the nail.

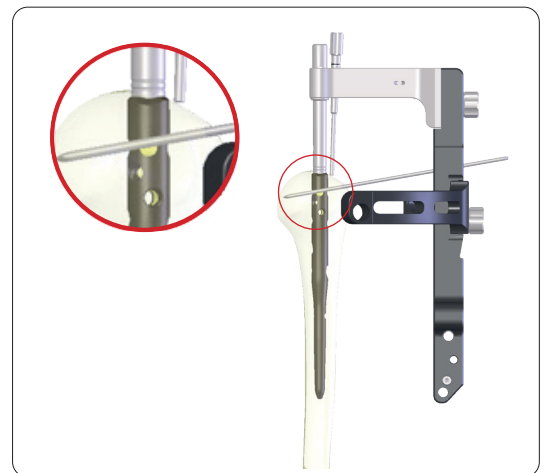


Temporary Nail Fixation

Instruments

REF 11.90025.200S Kirschner Wire Ø 2.5 mm

- The nail can be temporarily fixed in position with one or two K-Wires inserted through holes at the proximal end of the jig.
- It is important to take account of the position of the lesser tuberosity screw, which can be referenced by inserting the drill sleeve through the anterior hole.
- This screw should be medial to the bicipital groove.



Insertion of the Tuberosity Screws

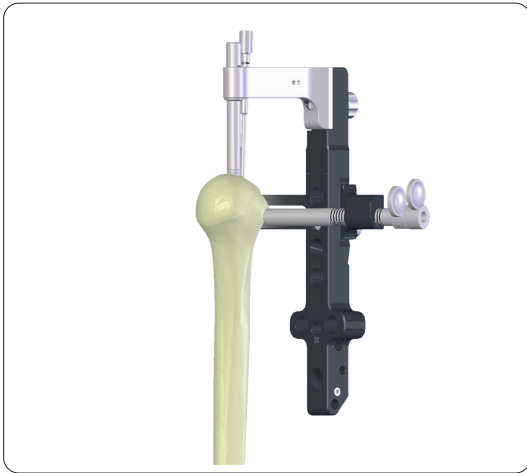
Instruments

REF 14.30060.055 LBN Tissue Protection Sleeve
10.0/11.5 mm

REF 14.30060.061 LBN Trocar Ø 10 mm

- It is recommended that the tuberosity screws are inserted first.
- Depending on the fracture pattern, one or two screws are inserted.
- The lesser tuberosity screw is inserted first.
- The Tissue Protection Sleeve and Trocar are inserted into the correct hole, and a skin incision is made.
- The tissues may be spread with a haemostat before passing the Trocar down to the bone.
- The Tissue Protections Sleeve should be brought flush with the bone.



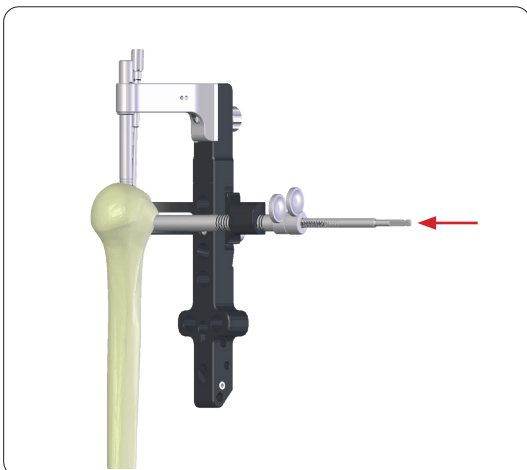


Insertion of the Drill Sleeve 3.5 mm

Instruments

REF 14.30060.060 LBN Drill Sleeve 10/6.5/3.5 mm

- The Drill Sleeve is now inserted through the Tissue Protection Sleeve.

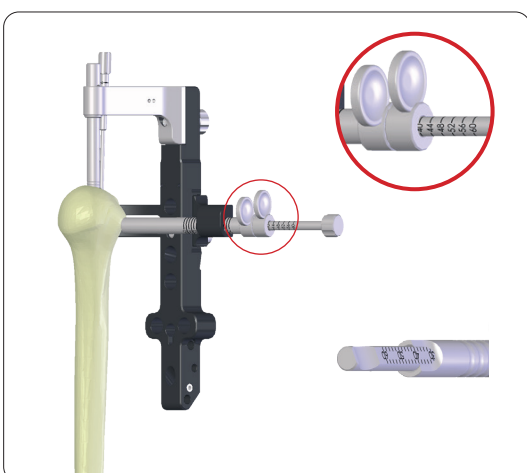


Drilling of the hole for the tuberosity screws

Instruments

REF 14.30060.090 LBN Drill Bit Ø 3.5 mm

- The near cortex is drilled with the 3.5 mm Drill Bit taking care not to penetrate the articular surface.
- It may only be necessary to open the cortex with the drill and then use the depth measuring device (see below).



Determine the length of the screw:

Instruments

REF 14.30060.091 LBN Length Determination Instrument

REF 14.30060.125 LBN Length Determination Instrument

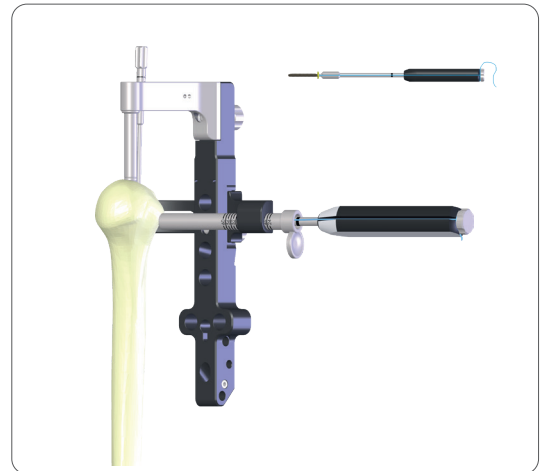
- If the bone is soft, the blunt Length Determination Instrument can be used to prepare the rest of the drill hole, resistance being felt as it touches the far cortex.
- The length is read directly off the Length Determination Instrument, but it is recommended that 2 mm is subtracted to prevent the screw penetrating the far cortex.
- Alternatively a conventional Depth Gauge is used.

Insertion of the Head Fixation Screw

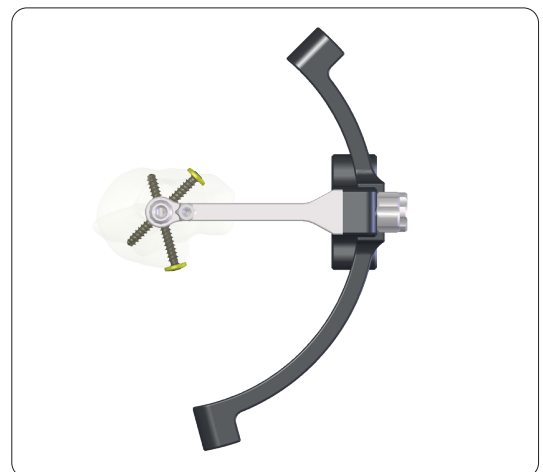
Instruments

REF 14.30060.120 LBN Screwdriver, hex 2.5 mm

- Remove the Drill Guide.
- Next, The correct screw length is inserted with the Screwdriver.
- If required the screw can be held to the Screwdriver with a suture passed through a washer hole, brought along the groove in the Screwdriver and tightened around the screw at the end of the handle.
- As the screw is tightened, firm resistance is felt as the washer seats against the tuberosity.



- The Sleeve is then removed and the greater tuberosity screw is inserted in the same manner.

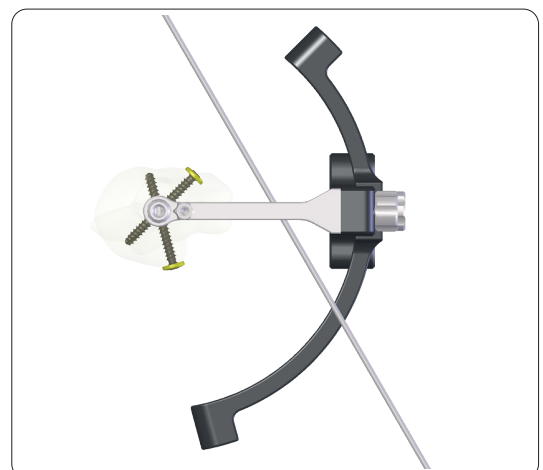


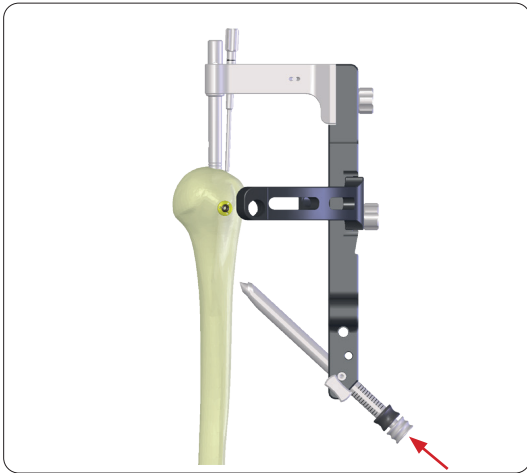
Retroversion of the Humeral Head

Instruments

REF 14.30060.050 LBN Alignment Rod

- If required, an Alignment Rod passed through the hole in the Coupling Device can be aligned with the forearm as a check on retroversion.





Insertion of the Blade

Positioning of the Oblique Drill Guide

Instruments

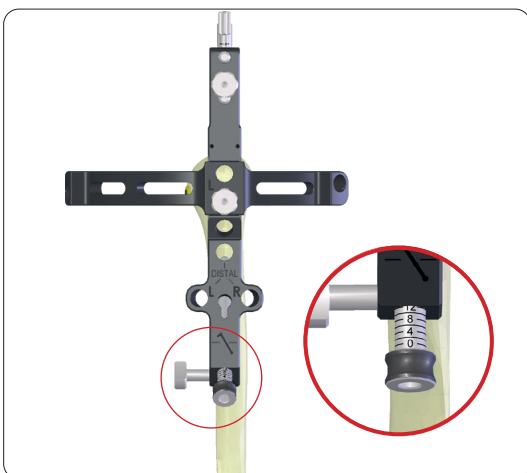
REF 14.30060.040	Eccentric Fixation Bolt
REF 14.30060.056	LBN Drill Sleeve 10.0/7.0
REF 14.30060.057	LBN Trocar Ø 7.0 mm

- The oblique Drill Sleeve and Trocar are inserted through the distal hole in the Targeting Module.
- The Sleeve will only fit through the jig one way, the flange on the Sleeve engaging with a slot in the hole.
- The Sleeve may need rotating to ensure correct alignment.
- A further suitable stab incision is made.

Note:

If the skin is pulled down to make the incision slightly proximal, this enables the same incision to be used for the next step, as well as the distal cortical screw, without further enlarging the hole.

The Sleeve is pushed down to the bone, and note is made of the depth marking on the sleeve. The Sleeve is attached firmly to the arm using the supplied bolt inserted into the hole.



Determine the Drill Depth

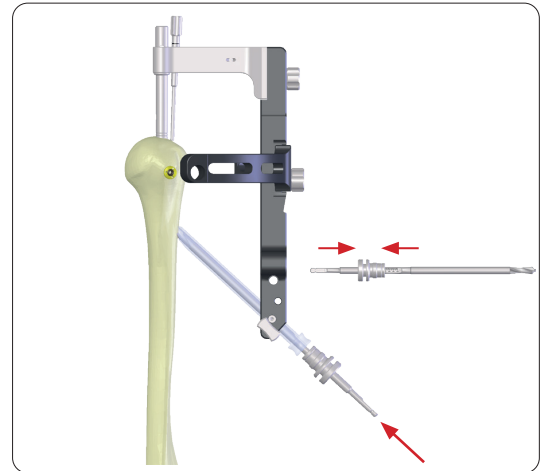
- The drill stop depth is read from the calibrations on the Drill Sleeve against the jig.

Drilling of the Lateral Cortex for the Blade Insertion

Instruments

REF 14.30060.100 LBN Drill Bit for Blade entry \varnothing 7.0mm
 REF 14.30060.185 LBN Stop for Drill Bit

- The 7.0 mm Drill Bit is selected and the Stop for Drill Bit moved to the same depth marking as read previously from the Sleeve, and locked into position.
- The outer cortex is then opened with the drill.
- The Stop for Drill Bit prevents the drill from damaging the nail.
- The Fixation Bolt is then removed before pulling out the Sleeve.

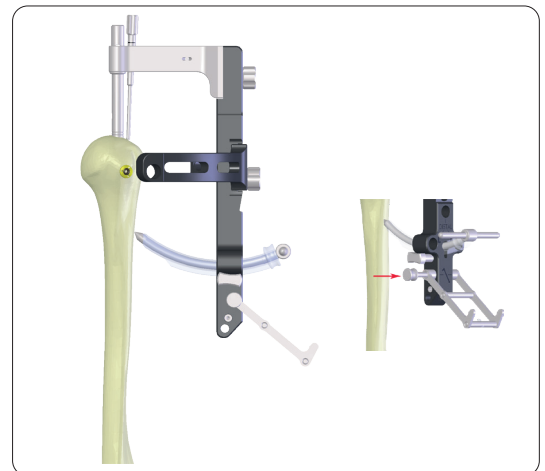


Preparation of the Blade Channel

Instruments

REF 14.30060.040 Eccentric Fixation Bolt
 REF 14.30060.065 LBN Guide Sleeve for Blade
 REF 14.30060.070 LBN Trocar
 REF 14.30060.160 LBN Blade Positioning Instrument
 REF 14.30060.161 LBN Fixation Bolt

- The curved Guide Sleeve with Trocar is inserted through the keyhole shaped aperture in the jig, then through the previous incision to the bone.
- The Blade Positioning Instrument is attached with the Locking Bolt to the appropriate hole in the jig.
- The Sleeve is then locked to the jig with the Fixation Bolt.
- The Trocar is then removed.

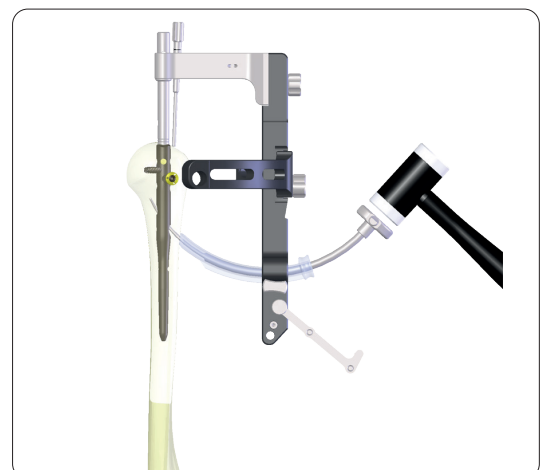


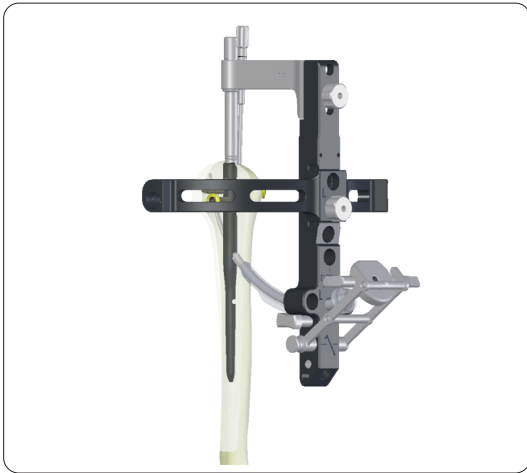
Insertion of Curved Chisel

Instruments

REF 14.30060.073/074 LBN Blade Awl short/long
 REF 14.30060.170 Mallet

- Next the curved Blade Awl, usually the long Blade Awl, though the short Blade Awl should be selected if the short blade is to be used, is passed through the Sleeve, and pushed through the bone under image intensifier control.
- The Blade Awl should remain within the head, supporting the medial cortex, without causing displacement of the fracture.





Control of Depth of Chisel Insertion

Instruments

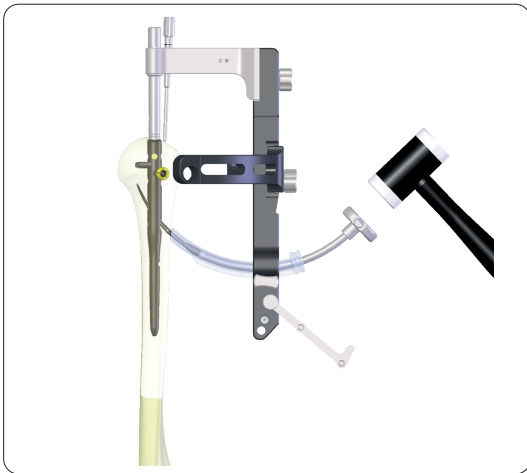
REF 14.30060.145

LBN Extractor for Nail

REF 14.30060.146

Slide Hammer for Extractor

- The Blade Awl is advanced with gentle hammer taps, until the Blade Positioning Instrument can be flipped over the end.
- If indicated the short Blade Awl may be used.
- The Blade Awl is then removed using the Extractor (screwed onto the Blade Awl) and the Slide Hammer.



Insertion of Blade

Instruments

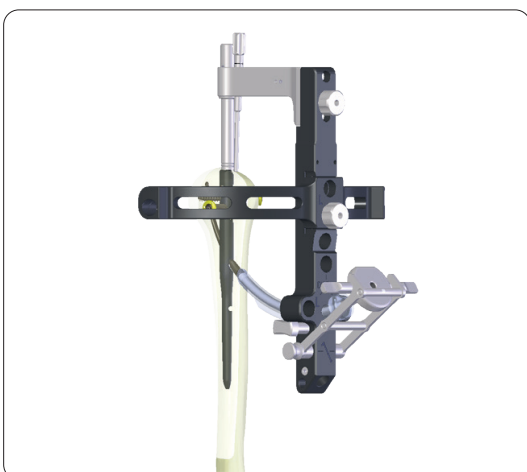
REF 14.30060.075

LBN Blade Inserter

- Choose either the long or short blade and place sharp tip into the curved Guide Sleeve.
- The curved Blade Inserter is then used to push the blade into the prepared channel using gentle taps with the Hammer until it seats home.

Note:

If the blade is not used, head locking screws can be inserted instead into the blade fixation screw holes, with a distal locking screw into the blade hole itself.



Insertion Depth of the Blade

- The Blade Positioning Instrument is clipped over the end of the punch to ensure that the blade is fully inserted.
- This is left in place for stability and to hold the blade in position.

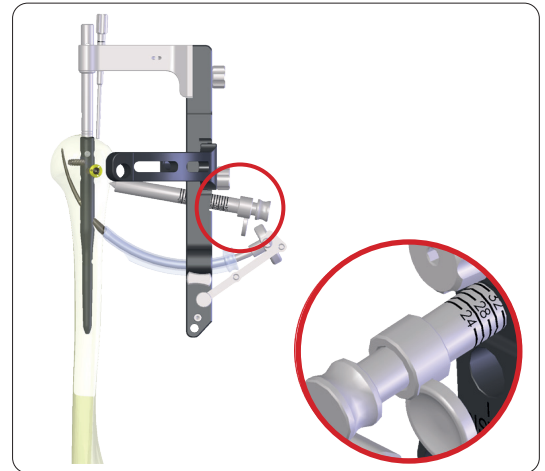
Insertion of Distal Blade Fixation Screw

Instruments

REF 14.30060.055 LBN Tissue Protection Sleeve
10.0/11.5 mm

REF 14.30060.061 LBN Trocar Ø 10 mm

- Insertion of the distal most blade fixation screw next confers stability before the proximal screw is inserted.
- The initial Tissue Protection Sleeve and Trocar are then inserted through the appropriate hole (second from top), and a further incision made.
- When the Sleeve contacts the bone, a note is made of the graduation mark against the jig.



Drilling of the Lateral Cortex

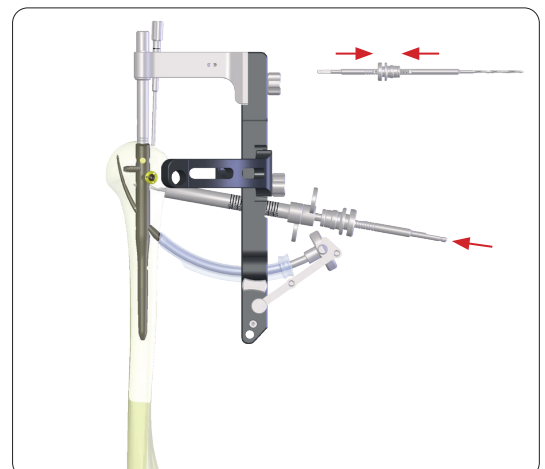
Instruments

REF 14.30060.060 LBN Drill Sleeve 10.0/6.5/3.5

REF 14.30060.090 LBN Drill Bit Ø 3.5 mm

REF 14.30060.185 LBN Stop for Drill Bit

- This reading is used when assembling the Stop for Drill Bit to the 3.5 mm Drill Bit.
- The Drill Sleeve is inserted and the bone is then drilled to the stop.



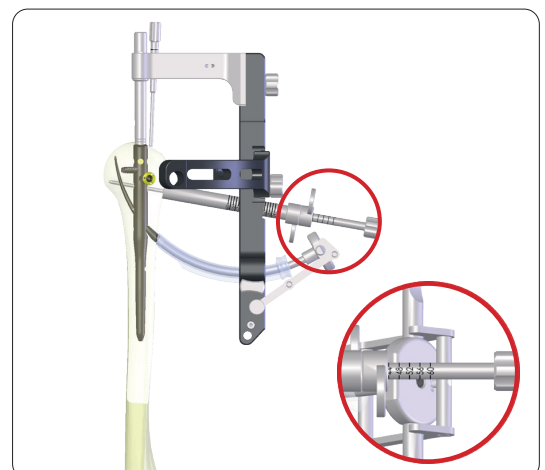
Measuring the Appropriate Screw Length

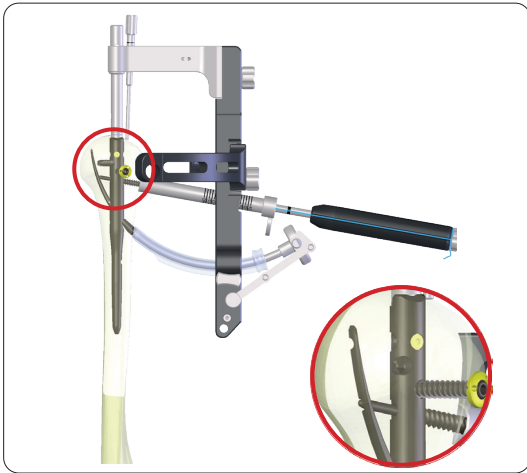
Instruments

REF 14.30060.091 LBN Length Determination Instrument

REF 14.30060.125 LBN Length Determination Instrument

- The blunt LBN Length Determination Instrument is used to prepare the rest of the drill hole, resistance being felt as it touches the far cortex.
- The length is read directly off the LBN Length Determination Instrument, but it is recommended that 2-3 mm is subtracted to prevent the screw penetrating the far cortex.
- Alternatively a conventional Depth Gauge is used.



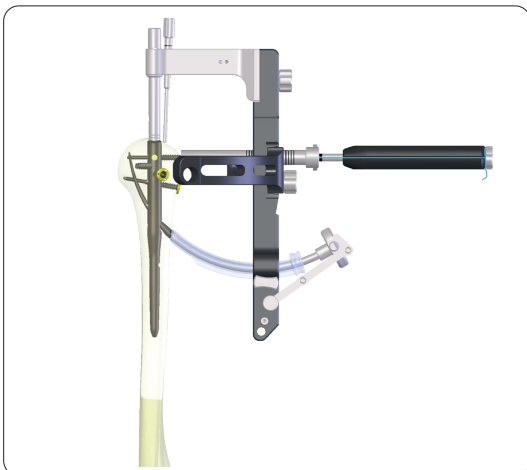


Insertion of the Appropriate Blade Fixation Screw

Instruments

REF 14.30060.120 LBN Screwdriver, hex 2.5 mm

- The correct length blade fixation screw is inserted with the Screwdriver, ensuring that the leading edge of the screw passes through the nail and the blade.



Insertion of Proximal Blade Fixation Screw

Instruments

REF 14.30060.180 Suture Retriever

- This is inserted through the top hole of the jig in the same manner as the first.
- The Stop for Drill Bit can be left on the 3.5 mm Drill Bit at the same depth as for the first screw.
- It may be useful to pass a suture through one of the washer holes for later repair of the rotator cuff.
- The Suture Retriever can be used to pull the suture into the proximal wound.



Distal Locking Screw

Instruments

REF 14.30060.055 LBN Tissue Protection Sleeve
10.0/11.5 mm

REF 14.30060.061 LBN Trocar Ø 10 mm

- The Tissue Protection Sleeve and Trocar are inserted through the marked hole in the jig.
- Note that the correct hole is marked left or right, and sits on the anterior aspect of the jig.
- The Sleeve will pass through the distal puncture wound.

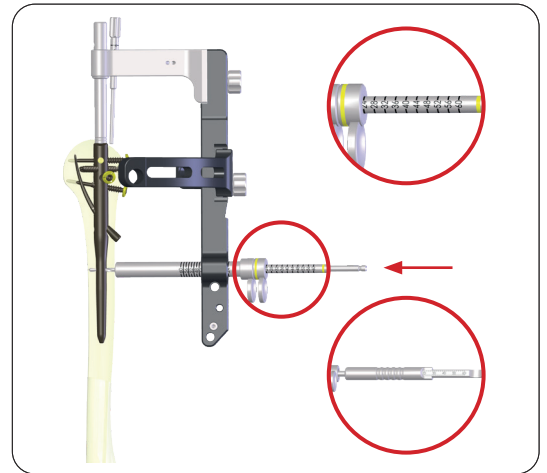
Drilling of the Distal Locking Hole

Instruments

REF 14.30060.062 LBN Drill Sleeve 10/6.5/2.9

REF 14.30060.085 Drill Bit Ø 2.9 mm

- The distal Drill Sleeve is inserted and the 2.9 mm distal Drill Bit used to drill through the near and far cortex.
- The correct length of screw may be read off the calibrations of the drill, or the conventional Depth Gauge may be used.

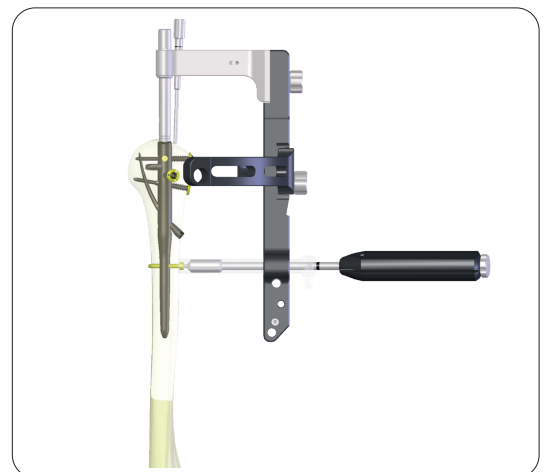


Insertion of the Appropriate Distal Locking Screw

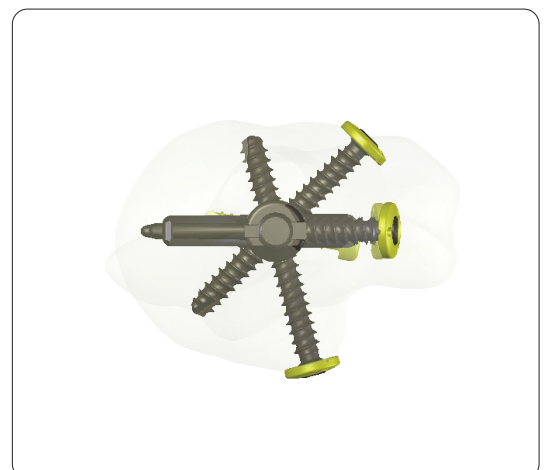
Instruments

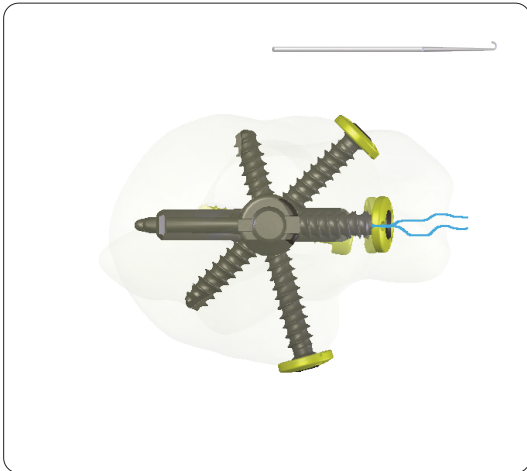
REF 14.30060.120 LBN Screwdriver, hex 2.5 mm

- The correct length 3.5 mm distal locking screw is inserted with the Screwdriver through the Tissue Protection Sleeve after removing the Drill Sleeve.



- Alignment of the screws and blade viewed from proximal.



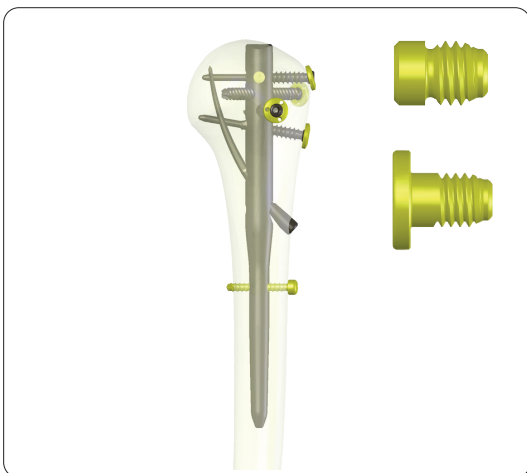


Rotator Cuff Repair and Closure

Instruments

REF 14.30060.180 *Suture Retriever*

- The jig is removed.
- The final position of the implants is checked by screening under image intensifier control, rotating the arm to ensure that screws have not penetrated the articular cartilage.
- The rotator cuff is carefully closed.
- If necessary the suture already passed through the screw washer may be used to reinforce the repair.
- Closure is carried out according to surgeon preference, paying careful attention to the reattachment of the deltoid to the acromion.



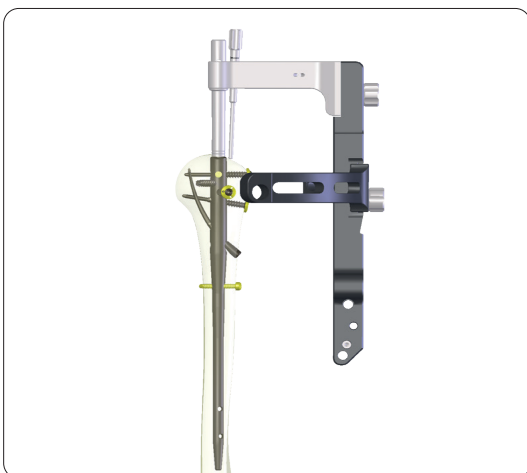
Insertion of the Cap Screw

Instruments

REF 14.30060.190 *Handle with AO Coupling*

REF 14.30060.192 *Screwdriver Shaft, hex 2.5 mm*

- If desired the end of the nail can be closed with an end cap, or lengthened with a 2 mm end cap.
- The screw is inserted with the Screwdriver Shaft on the Handle.



Long Locking Blade Nail

- The long nail is available for fractures extending down the shaft.
- Insertion follows the same steps as the short nail, using the same instrumentation.
- As with the short nail, there is a choice of three different configurations.
- The nail may be used with a long blade, a short blade, or just screws – see page 3.
- The shaft may require reaming.
- The nail is solid, so cannot be inserted over a Guide Wire.

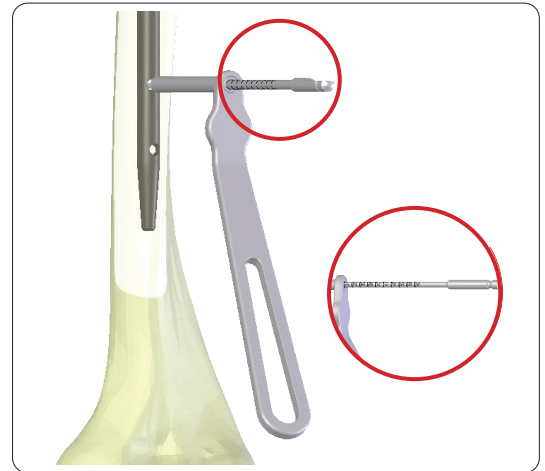
Distal Locking

Instruments

REF 14.30060.082 LBN Drill Bit Ø 2.9 mm

REF 14.30060.200 LBN Drill Guide 2.9

- There are two distal locking screw holes, running in an antero-posterior direction, but angled relative to each other.
- The screw holes are drilled freehand using standard techniques.
- The nail holes are located under image intensifier control, the beam being adjusted so that the hole is seen as a perfect circle.
- A longitudinal incision is made over the hole and the muscle is split.
- The short 2.9 mm Drill Bit is used, the centre of the nail hole located with the image intensifier, and the hole drilled, aligning the drill with the image intensifier.
- The length of the screw is determined with the Depth Gauge.



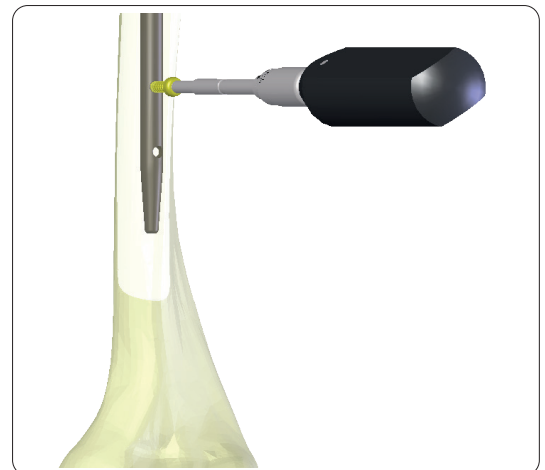
Insertion of distal locking screw

Instruments

REF 14.30060.190 Handle with AO Coupling

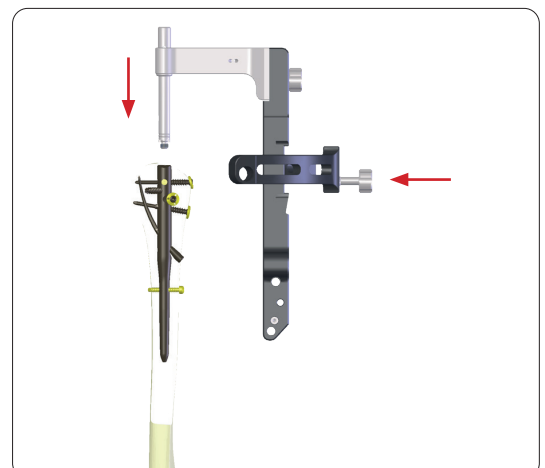
REF 14.30060.192 Screwdriver Shaft, hex 2.5 mm

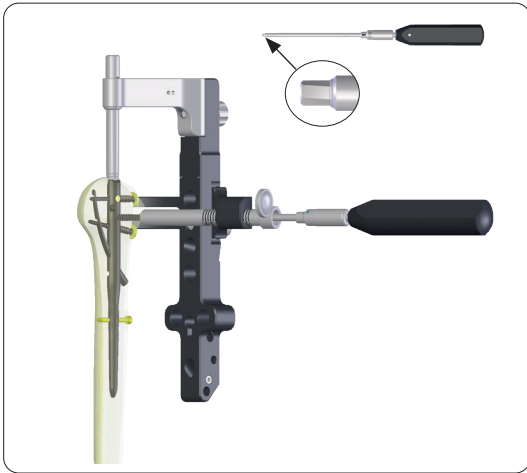
- The correct length 3.5 mm distal locking screw is inserted with the Screwdriver Shaft on the Handle.



Implant Removal

- The top of the nail is exposed.
- If an end cap has been used, this is removed.
- The targeting jig is assembled and attached to the nail.





Removal of Screws

Instruments

REF 14.30060.055	LBN Tissue Protection Sleeve 10.0/11.5 mm
REF 14.30060.190	Handle with AO Coupling
REF 14.30060.192	Screwdriver Shaft, hex 2.5 mm

- The screw heads are located using the Tissue Protection Sleeve inserted through the appropriate hole in the jig.
- The Screwdriver Shaft on the Handle is used to remove the screws.

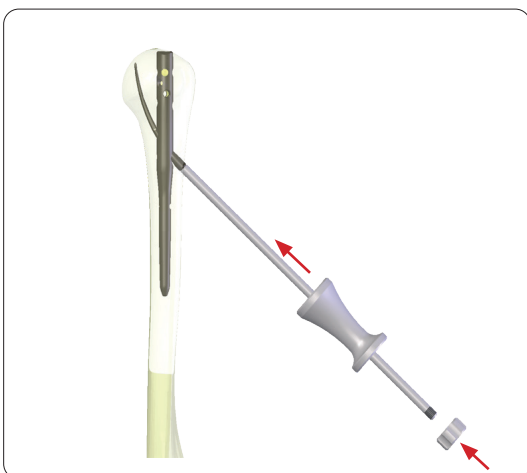


Locating the Blade

Instruments

REF 14.30060.056	LBN Drill Sleeve 10.0/7.0
REF 14.30060.140	LBN Extractor for Blade

- Having removed the screws, the blade is located with the aid of the oblique Drill Sleeve inserted through the lowermost hole on the jig.
- An incision is made and the Sleeve pushed down to the bone.
- The Extractor for Blade can then be threaded onto the end of the blade without the end nut.
- It is then possible to disassemble the jig leaving the Extractor in situ.



Assembling the Blade Extraction Tool

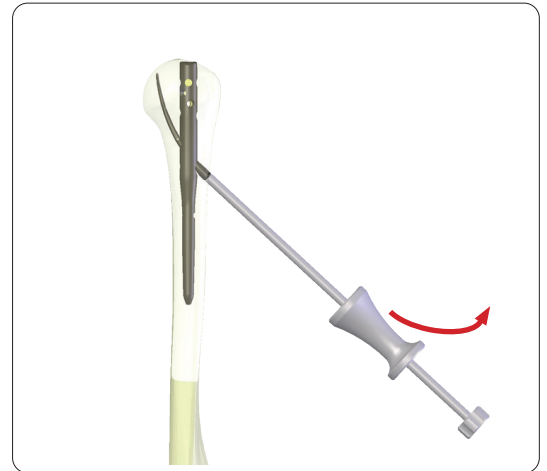
Instruments

REF 14.30060.141	Nut for REF 14.30060.140
REF 14.30060.146	Slide Hammer for Extractor

- The Slide Hammer is slid over the Extractor, and the Nut screwed to the end to act as a stop.

Removal of the Blade

- The blade can then be removed with the Slide Hammer.
- The instrument should be pulled proximally, allowing the curved nail to slide out of the bone.



Removal of the nail

Instruments

REF 14.30060.145

LBN Extraktor for Nail

REF 14.30060.146

Slide Hammer for Extractor

- The nail can now be removed by screwing the Extractor for Nail and Slide Hammer to the nail, and tapping it out.



▶ Implants



Dimensions short nail

- Length: 150 mm
- Proximal diameter: 11 mm
- Distal diameter: 8.0 mm
- Material: Ti6Al4V

Article Number	Length	Orientation	Diameter
14.31008.150S	150 mm	Left	11 / 8.0 mm
14.31108.150S	150 mm	Right	11 / 8.0 mm



Dimensions long nail

- Length: 230 mm
250 mm
270 mm
290 mm
- Proximal diameter: 11 mm
- Distal diameter: 7 mm
- Material: Ti6Al4V

Article Number	Length	Orientation	Diameter
14.31008.230S	230 mm	Left	11 / 7.0 mm
14.31008.250S	250 mm	Left	11 / 7.0 mm
14.31008.270S	270 mm	Left	11 / 7.0 mm
14.31008.290S	290 mm	Left	11 / 7.0 mm
14.31108.230S	230 mm	Right	11 / 7.0 mm
14.31108.250S	250 mm	Right	11 / 7.0 mm
14.31108.270S	270 mm	Right	11 / 7.0 mm
14.31108.290S	290 mm	Right	11 / 7.0 mm



Dimensions LBN Blade for Humerus Nail

- Length short blade: 61.5 mm
- Length long blade: 67.2 mm
- Material: Ti6Al4V

Article Number	Blade Length
14.31356.063S	61.5 mm
14.31356.070S	67.2 mm

► **Implants**

Article Number	Length
14.31635.018S	18 mm
14.31635.020S	20 mm
14.31635.022S	22 mm
14.31635.024S	24 mm
14.31635.026S	26 mm
14.31635.028S	28 mm
14.31635.030S	30 mm
14.31635.032S	32 mm
14.31635.034S	34 mm
14.31635.036S	36 mm
14.31635.038S	38 mm
14.31635.040S	40 mm
14.31635.042S	42 mm
14.31635.044S	44 mm
14.31635.046S	46 mm
14.31635.048S	48 mm
14.31635.050S	50 mm
14.31635.052S	52 mm
14.31635.054S	54 mm
14.31635.056S	56 mm
14.31635.058S	58 mm
14.31635.060S	60 mm

Dimensions LBN Distal Locking Screw

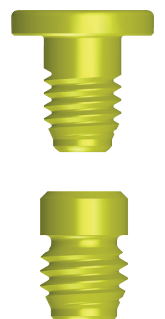
- Length: 18 - 60 mm
- External diameter: 3.5 mm
- Core diameter: 2.9 mm
- Head diameter: 6.0 mm
- Thread pitch: 1.75 mm
- Hexagonal socket: 2.5 mm
- Material: Ti6Al4V



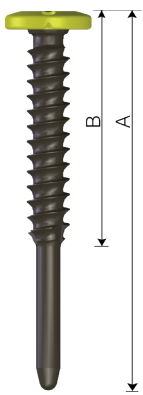
Article Number	Extension
14.31550.000S	0 mm
14.31550.002S	2 mm

Dimensions LBN Cap Screw

- External diameter: 6 / 11 mm
- Hexagonal socket: 2.5 mm
- Material: Ti6Al4V



► Implants



Dimensions LBN Blade Fixation Screw

- Length A: 32 - 60 mm
- Length B: 23.5/25.5/27/29 mm
- Proximal external diameter: 5.0 mm
- Distal outside diameter: 2.8 mm
- Core diameter: 3.5 mm
- Thread pitch: 1.75 mm
- Diameter modular washer: 10.0 mm
- Material: Ti6Al4V

Article Number	Length A	Length B
14.31555.032S	32 mm	23.5 mm
14.31555.034S	34 mm	23.5 mm
14.31555.036S	36 mm	25.5 mm
14.31555.038S	38 mm	25.5 mm
14.31555.040S	40 mm	25.5 mm
14.31555.042S	42 mm	25.5 mm
14.31555.044S	44 mm	27 mm
14.31555.046S	46 mm	27 mm
14.31555.048S	48 mm	27 mm
14.31555.050S	50 mm	27 mm
14.31555.052S	52 mm	29 mm
14.31555.054S	54 mm	29 mm
14.31555.056S	56 mm	29 mm
14.31555.058S	58 mm	29 mm
14.31555.060S	60 mm	29 mm



Dimensions LBN Locking Head Screw

- Length: 22 - 60 mm
- External diameter: 5.0 mm
- Core diameter: 3.5 mm
- Thread pitch: 1.75 mm
- Diameter modular washer: 10.0 mm
- Material: Ti6Al4V

Article Number	Length
14.31554.022S	22 mm
14.31554.024S	24 mm
14.31554.026S	26 mm
14.31554.028S	28 mm
14.31554.030S	30 mm
14.31554.032S	32 mm
14.31554.034S	34 mm
14.31554.036S	36 mm
14.31554.038S	38 mm
14.31554.040S	40 mm
14.31554.042S	42 mm
14.31554.044S	44 mm
14.31554.046S	46 mm
14.31554.048S	48 mm
14.31554.050S	50 mm
14.31554.052S	52 mm
14.31554.054S	54 mm
14.31554.056S	56 mm
14.31554.058S	58 mm
14.31554.060S	60 mm

► **Instruments**

- 11.90025.200S Kirschner Wire Ø 2.5 mm, trocar tip, L 200 mm

- 14.30060.050 LBN Alignment Rod

- 14.30060.150 LBN Guide Pin with Stop, long, for REF 14.30060.155

- 14.30060.151 LBN Guide Pin with Stop, short, for REF 14.30060.155

- 14.30060.082 LBN Drill Bit Ø 2.9 mm, scaled, AO Coupling, short

- 14.30060.085 LBN Drill Bit Ø 2.9 mm, scaled, AO Coupling, for REF 14.30060.062

- 14.30060.090 LBN Drill Bit Ø 3.5 mm, scaled AO Coupling

- 14.30060.100 LBN Drill Bit for Blade entry Ø 7.0 mm scaled, AO Coupling

- 14.30060.155 LBN Hollow Reamer Ø 11.5 mm

- 14.30060.220 LBN Medullary Reamer Ø 11.0mm, short

- 14.30060.230 LBN Broach for Humeral Nail

- 14.30060.185 LBN Stop for Drill Bit for REF 14.30060.090/100

- 14.30060.045 LBN Height Determination Device

- 14.30060.091 LBN Length Determination Instrument, for Screws up to 60mm

- 14.30060.125 LBN Length Determination Instrument, for Screws up to 60mm

- 14.30060.055 LBN Tissue Protection Sleeve 11.5/10.0, scaled

- 14.30060.056 LBN Drill Sleeve 10.0/7.0, scaled

- 14.30060.057 LBN Trocar Ø 7.0 mm

- 14.30060.060 LBN Drill Sleeve 10.0/6.5/3.5, proximal

- 14.30060.061 LBN Trocar Ø 10.0 mm

- 14.30060.062 LBN Drill Sleeve 10.0/6.5/2.9, distal

- 14.30060.205 LBN Trocar for REF 14.30060.200

- 14.30060.200 LBN Drill Guide 2.9, for distal locking

► Instruments

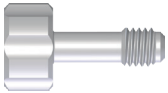
14.30060.161 LBN Fixation Bolt for
REF 14.30060.160



14.30060.030 LBN Coupling Screw Nail



14.30060.035 Assembly Screw for Targeting
Device



14.30060.040 Eccentric Fixation Bolt



14.30060.120 LBN Screwdriver, hex 2.5mm



14.30060.190 Handle with AO Coupling



14.30060.192 Screwdriver Shaft, hex 2.5mm,
AO Coupling



03.20040.125 Screwdriver Shaft, hex 2.5mm,
AO Coupling, L 100/70mm



14.30060.165 Pin Wrench, hex 3.5mm



14.30060.160 LBN Blade Positioning Instrument



14.30060.180 Suture Retriever



14.30060.140 LBN Extractor for Blade
14.30060.141 Nut for REF 14.30060.140



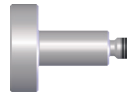
14.30060.145 LBN Extractor for Nail



14.30060.146 Slide Hammer for Extractor



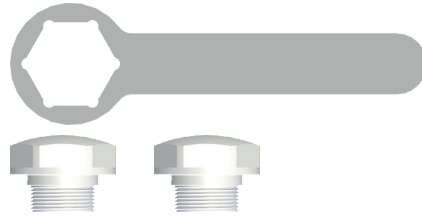
14.30060.240 LBN Impactor



14.30060.170 Mallet



14.30060.172 Set of Spare Disks
for REF 14.30060.170



14.30060.260 LBN X-Ray Template

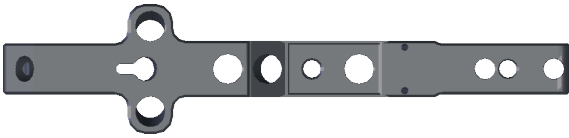


► **Instruments**

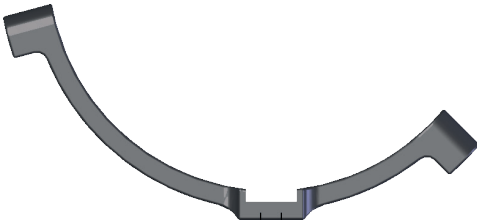
14.30060.010 LBN Coupling Device for Targeting Device



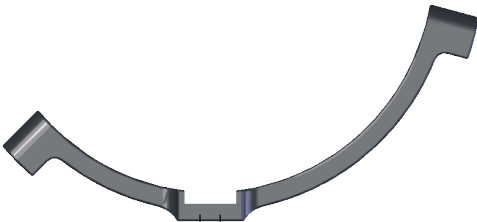
14.30060.015 LBN Targeting Arm, for REF 14.30060.010



14.30060.020 LBN Targeting Module, left



14.30060.025 LBN Targeting Module, right



Optional

14.30060.152 LBN Guide Pin with Stop, medium, for REF 14.30060.155



14.30060.153 LBN Guide Pin with Stop, extra long for REF 14.30060.155



14.30060.120-3 LBN Suture Fixation Screw for REF 14.30060.120



14.30060.065 LBN Guide Sleeve for Blade



14.30060.070 LBN Trocar for REF 14.30060.065



14.30060.073 LBN Blade Awl, short



14.30060.074 LBN Blade Awl, long



14.30060.075 LBN Blade Inserter





MRI Safety Information

Non-clinical testing has demonstrated that the Intramedullary Nails range from Marquardt Medizintechnik is MR Conditional in accordance with the ASTM F2503-20 standard definitions. A patient with this device can be safely scanned in an MR system meeting the following conditions:

- Cylindrical-bore
- Horizontal magnetic field (B_0)
- Spatial field gradient lower than or equal to
 - **1.5 T:** 23.45 T/m (2345 G/cm)
 - **3.0 T:** 11.75 T/m (1175 G/cm)
- Radiofrequency (RF) field exposure:
 - RF excitation: Circularly Polarized (CP)
 - RF transmit coil: whole-body transmit coil
 - RF receive coil type: whole-body receive coil
 - Maximum permitted whole-body averaged specific absorption rate (SAR): Normal Operating Mode, 2 W/kg.
 - Scan duration and wait time:
 - 1.5 T:** 2 W/kg whole-body average SAR for **10min and 55s** of continuous RF (a sequence or back-to-back series/scan without breaks) followed by a wait time of **10min and 55s** if this limit is reached.
 - 3.0 T:** 2 W/kg whole-body average SAR for **7min and 54s** of continuous RF (a sequence or back-to-back series/scan without breaks) followed by a wait time of **7min and 54s** if this limit is reached.
- The Intramedullary Nails are expected to produce a maximum temperature rise of 6.2 °C at 1.5 T and 6.5 °C at 3 T both after the scanning periods presented above.
- The presence of this implant may produce an image artifact. Some manipulation of scan parameters may be needed to compensate for the artifact. In non-clinical testing, the image artifact caused by the device extends approximately 83 mm from the device edge when imaged with a spin echo pulse sequence and 65 mm with a gradient echo, both at 1.5 T.
- Patients with uncompromised thermoregulation and under uncontrolled conditions or patients with compromised thermoregulation (all persons with impaired systemic or reduced local thermoregulation) and under controlled conditions (a medical doctor or a dedicated trained person can respond instantly to heat induced physiological stress).

Note:

Undergoing an MRI scan, there is a potential risk for patients with a metallic implant. The electromagnetic field created by an MRI scanner can interact with the metallic implant, resulting in displacement of the implant, heating of the tissue near the implant, or other undesirable effects.



Dieter Marquardt Medizintechnik GmbH

Robert-Bosch-Straße 1 • 78549 Spaichingen, Germany
Telefon +49 7424 9581-0 • Telefax +49 7424 501441
info@marquardt-medizintechnik.de • www.marquardt-medizintechnik.de

CE 0297